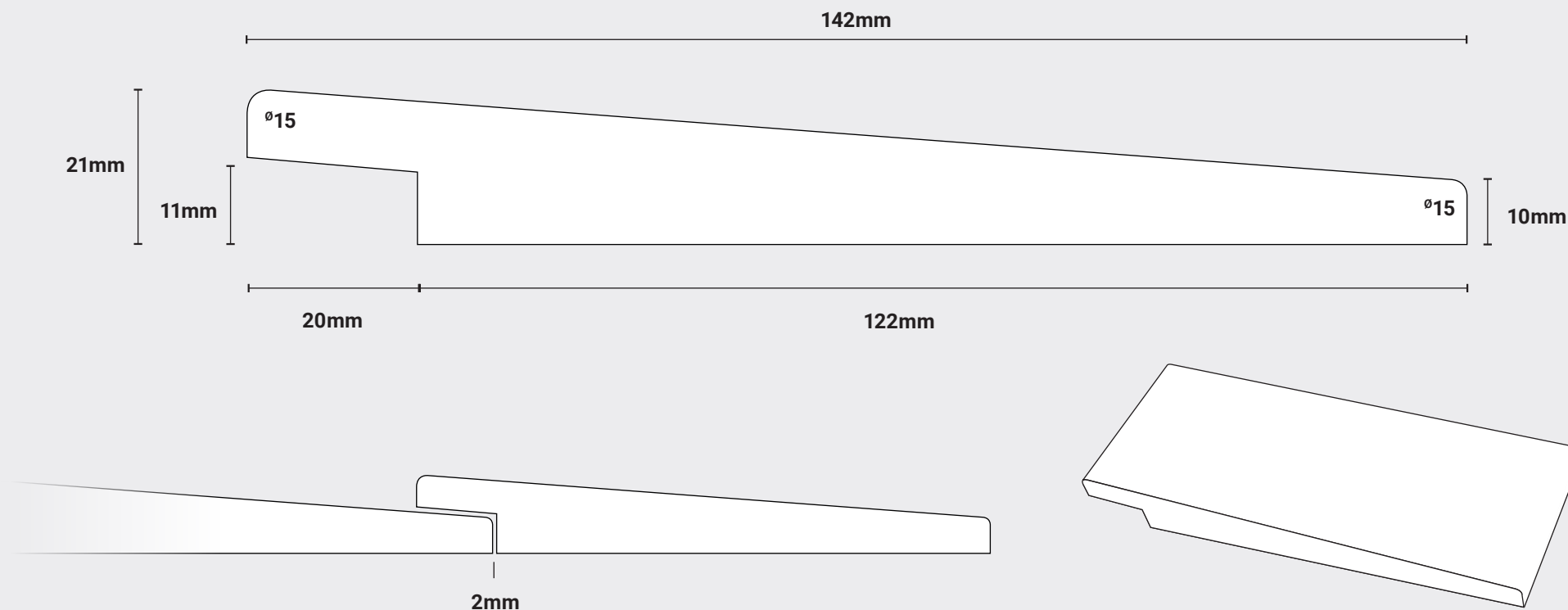


NOT TO SCALE

# PT91R

Finished Size: 21mm x 142mm. Face Cover: 122mm Horizontal



For further information please contact us: +44 (0)121 559 5511 [sales@palmertimber.com](mailto:sales@palmertimber.com)  
Palmer Timber Limited. Granville Works, Station Road, Cradley Heath, West Midlands B64 6PW

Palmer Timber reserves the right to alter dimensions and profile without prior notice